

BOROUGH OF LEESPORT
INCORPORATED - 1901

27 S. CANAL STREET
P.O. BOX 710
LEESPORT, PENNSYLVANIA 19533

PHONE 610-926-2115
FAX 610-916-3055

SEASONAL POOL PERMIT

SEASONAL POOLS MUST CONFORM TO THE FOLLOWING REQUIREMENTS:

1. Seasonal Pools shall be located completely behind the rear-most portion of the dwelling.
2. The use of Seasonal Pools shall be accessory to a residential use and on the same lot as the dwelling.
3. Associated decks and platforms are prohibited.
4. The permitted season for Seasonal Pools is the third week of May through the first week of September of each year. The placement or use of Seasonal Pools before the third week of May and after September 7th in each year is strictly prohibited.
5. Seasonal Pools shall be entirely enclosed with a barrier or fence not less than four feet in height and having no opening greater than four inches a side (or in diameter in the case of round openings). The required barrier or fence shall be installed and removed in conjunction with the placement and removal of the Seasonal Pool, except for any fence constructed in accordance with the provisions of the Leesport Borough Zoning Ordinance of 1972, as amended.
6. Due to the portable nature of Seasonal Pools, they are excluded from the provisions of the Zoning Ordinance, but shall comply with the relevant provisions of the Building Code of Leesport Borough.

By signing this permit, you certify that you have read and understand all requirements of Ordinance 407 for Seasonal Pools.

Applicant: _____

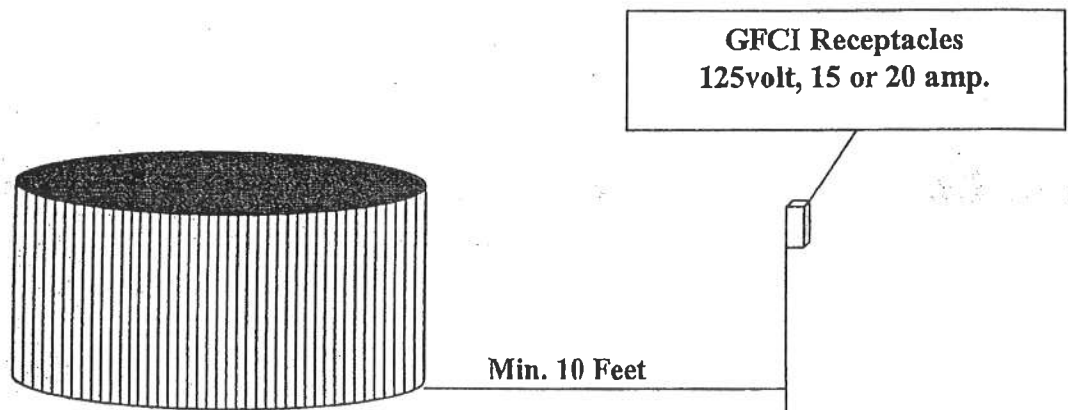
Address: _____

Date Issued _____

By _____
Borough Official

PERMIT EXPIRES SEPTEMBER 7

Storable Pool Electrical & Fence Requirements



Storable Pools Between 24 and 42 Inches deep require a barrier.
Barriers must be 48 inches minimum in height from grade.

SECTION 4107.1

- Pump motor must be double insulated with 3 prong plug

SECTION 4107.2

- All receptacles serving the pool area must be GFCI
- Pump must be plugged into GFCI protected outlet

SECTION 4107.4

- No receptacles within 10 feet of the pool